

# Multi-Channel Polarization Controller

## PC1200 series

PC1200 series is developed to meet the increasing needs of polarization control in WDM/DWDM systems.

It can be used in polarization controlling for external modulators or other devices to match polarization states.

This device provides convenient controlling with 3-stage control knob. It is rack-installable with a rack mountable chassis.

# MCP



### Features

- Multi-Channel Control
- Rack mountable
- Compact Size
- Low loss
- High shock endurance

# Multi-Channel Polarization Controller



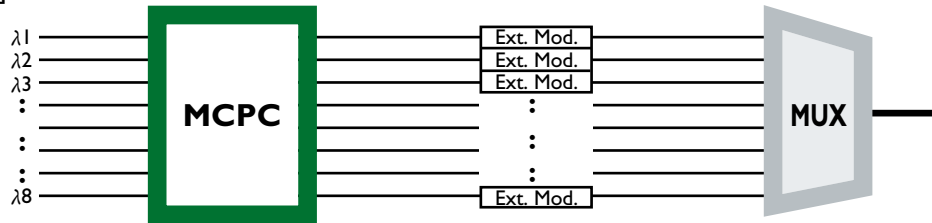
## Applications

**1. Polarization control for optical devices to match polarization state.**

**2. Independent polarization control of 4 or 8 WDM channels.**

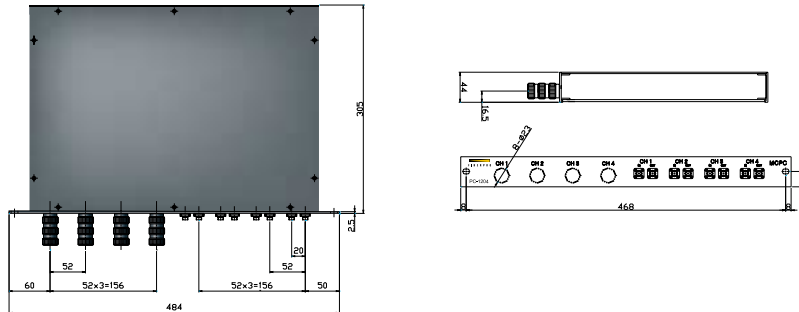
WDM system needs several polarization controllers to change the input states of polarization to external modulator or other device of each channel. One PC1200 series can control the polarization state of 8 channels simultaneously with simple and easy setup.

[Figure 1]

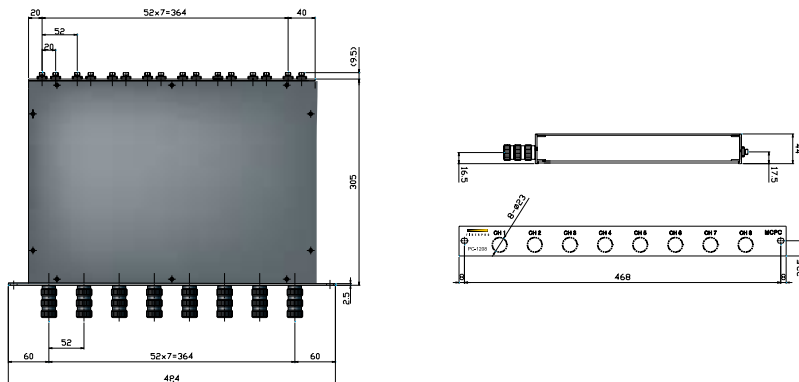


## Dimensions

### PC1204-F-F/P



### PC1208-F-F/P



## Specification

Operating Wavelength Range	1400 ~ 1650 nm
Insertion Loss	< 0.5 dB (< 0.3 dB typical) <sup>1), 2)</sup>
Polarization Extinction Ratio	> 30 dB
Back Reflection	< -40 dB <sup>1)</sup>
Dimensions (W × H × D)	484 × 44 × 351.5 mm

<sup>1)</sup> With FC/PC connectors

<sup>2)</sup> With the range 1520 ~ 1620 nm

The specifications and technical information contained herein are subject to change without notice and are furnished without charge or obligation. They are given and accepted at recipients sole risks.

## Ordering code

### 1) MCPC 4 channel type

#### PCI204-(1)-(2)

1. port location → back (B), front (F)

2. connector type → FC/SPC (F/P), FC/APC (F/A)

### 2) MCPC 8 channel type

#### PCI208-(1)

1. connector type → FC/SPC (F/P), FC/APC (F/A)

*Example : PCI204-B-F/P*

→ 4 channels MCPC whose Input/Output ports are located at back panel.  
Connector type is FC/SPC