

V-BAND PHYRAMIDAL HORN ANTENNA

Model Name : **NRD60PH201**

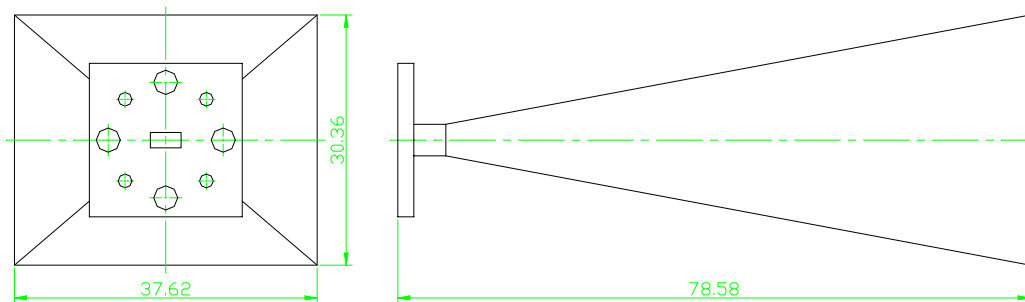
DATE : SEP/04/2002

Serial Number : **HW020820-06/07/08**

Specifications

Parameters		Specifications
Frequency Range		50GHz ~ 75GHz
Waveguide Size		WR-15
VSWR		1.13:1 max
Mid-band Gain		24dB typical
3dB Beamwidth	E-plane	9.0°
	H-plane	10.1°
Size(LxWxH)[mm]		78.58x37.62x30.36

Dimensions



Descriptions

1. The port is compatible with WR-15 standard V-band rectangular waveguide.
2. All Dimensions are in millimeters.