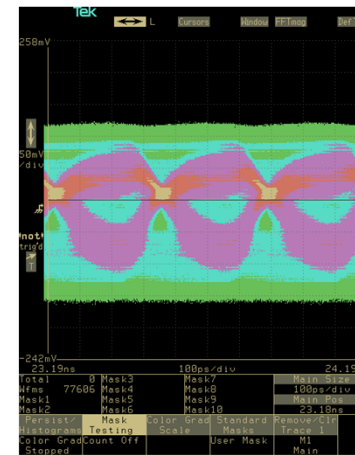
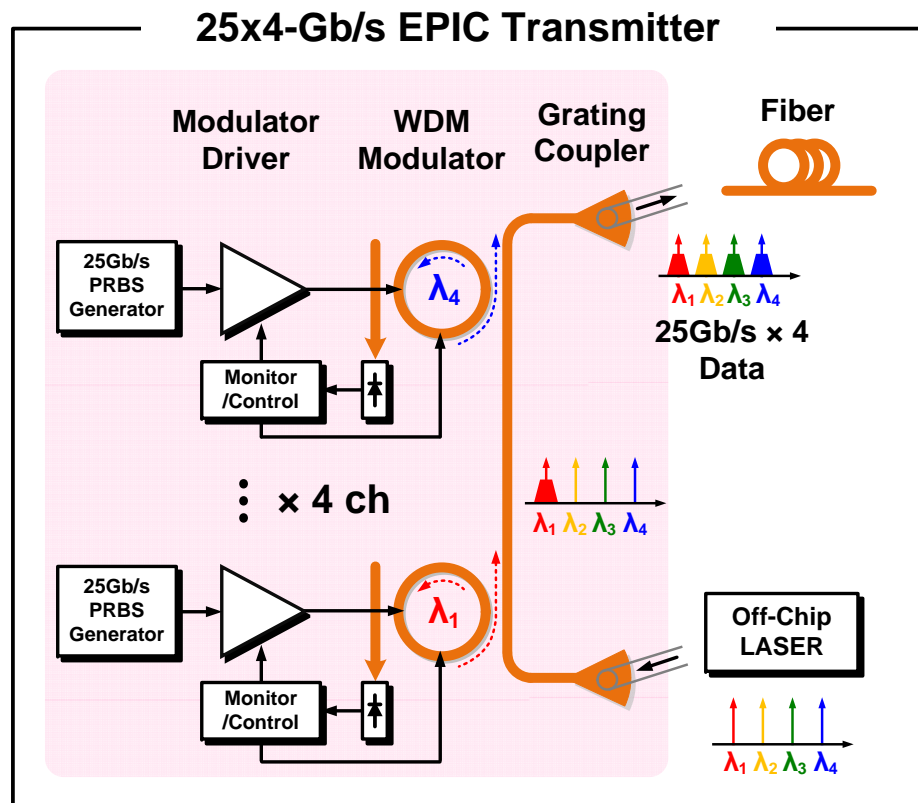
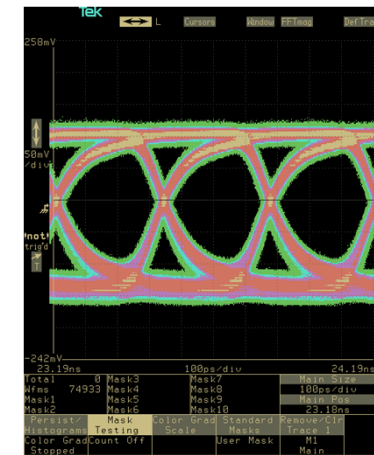


Optical modulator bias controller

- Mach-zehnder modulator bias controller using eye-amplitude monitoring
- Ring-modulator bias controller for 4x25-Gb/s WDM system
- Hybrid- or monolithic integration for EPIC



[With static DC bias]



[With Controller]

