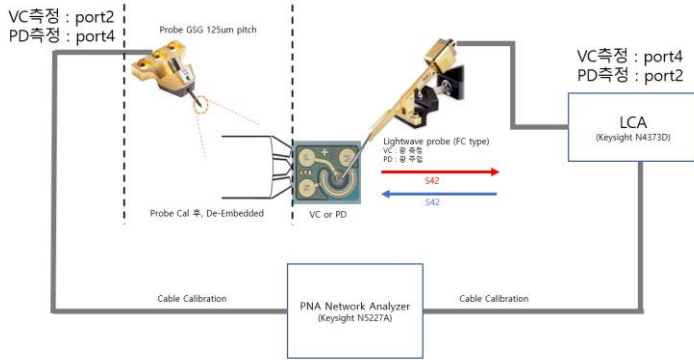


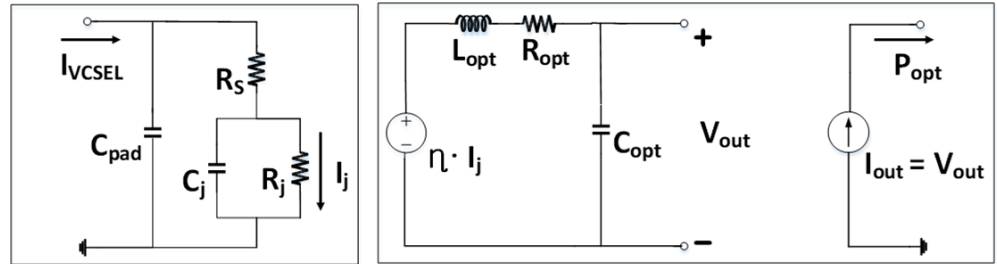
2021-2 Works

• Modeling of VCSEL

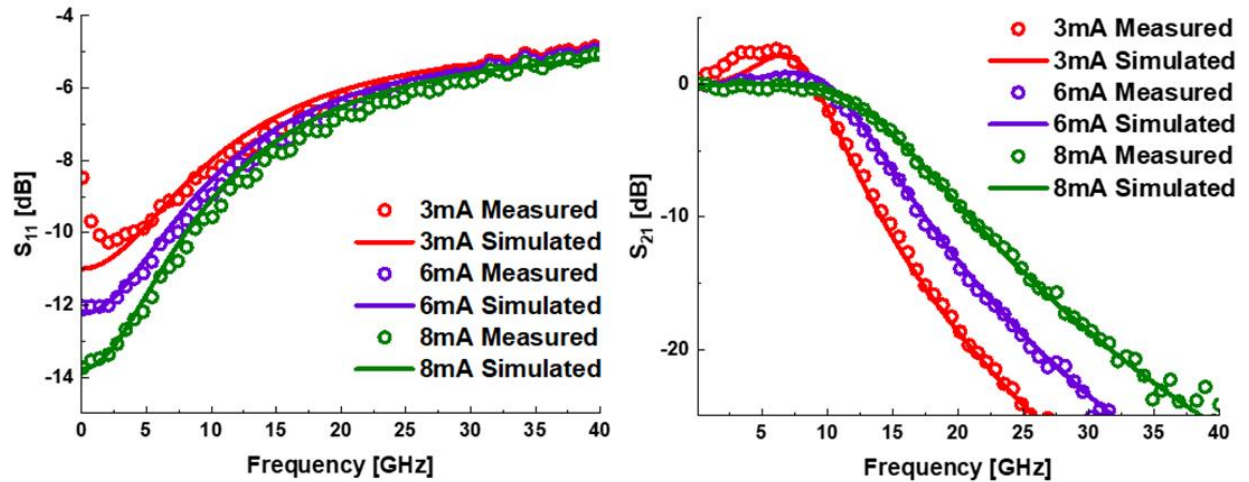
< VCSEL S-parameters Measurement >



< VCSEL SPICE model >



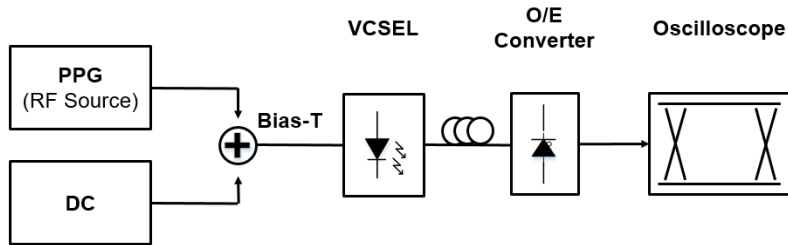
< S-parameters small signal fitting >



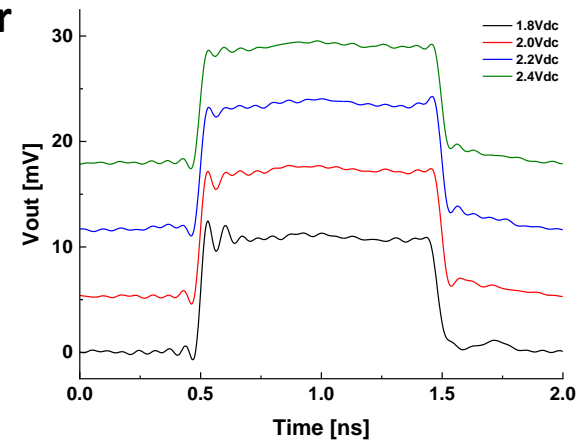
2022-1 Works

• VCSEL model - large signal fitting

< VCSEL step-response Measurement >



< Measured data for large signal fitting >



• Nonlinear DAC for heater control

< Segmented DAC >

