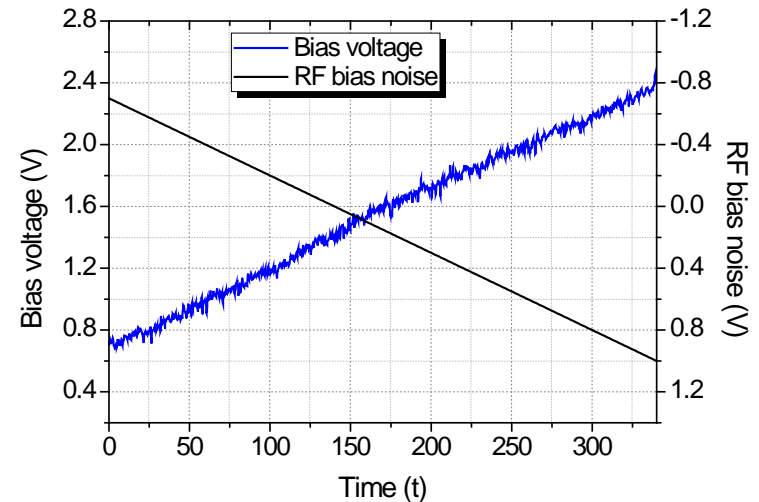
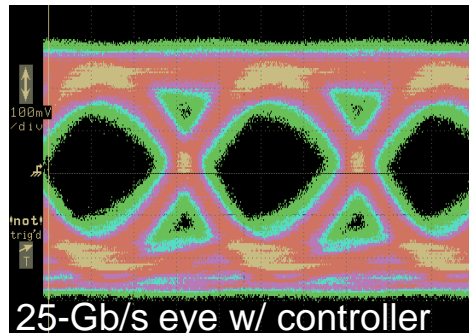
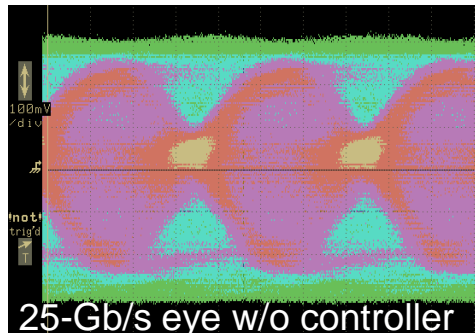
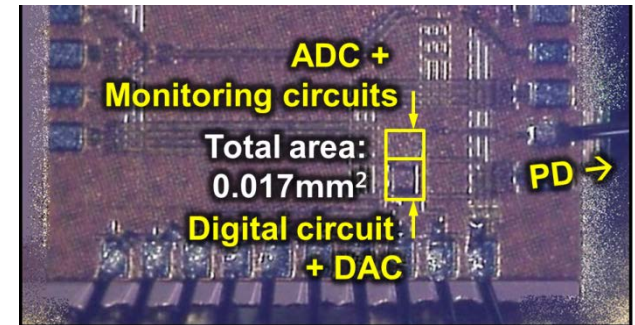
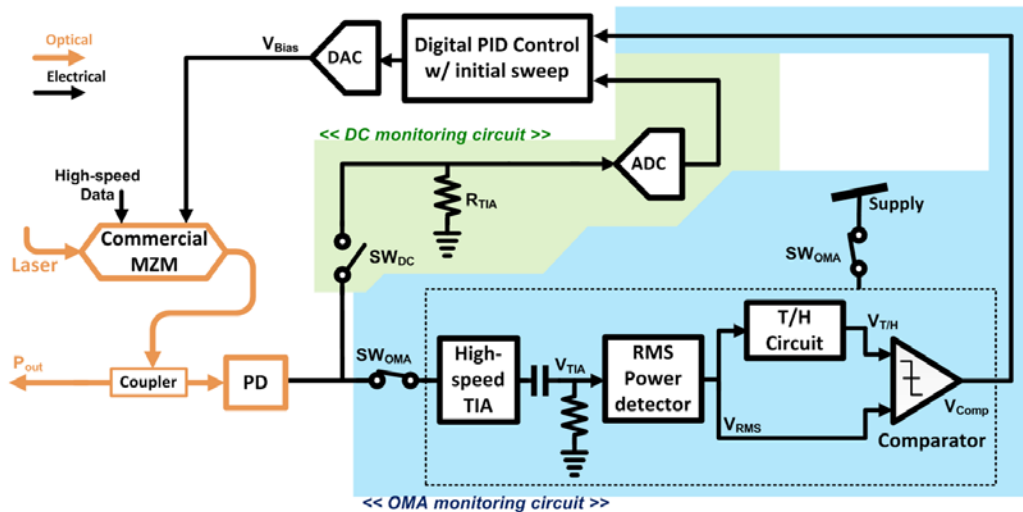


Optical modulator bias control circuit

- Mach-zehnder modulator bias controller based on OMA and average power monitoring
- Hybrid integration for EPIC



Optical modulator bias control circuit

- Ring modulator λ -stabilization circuit based on OMA monitoring
- 4 x 25-Gb/s WDM system
- Hybrid- or monolithic integration for EPIC

