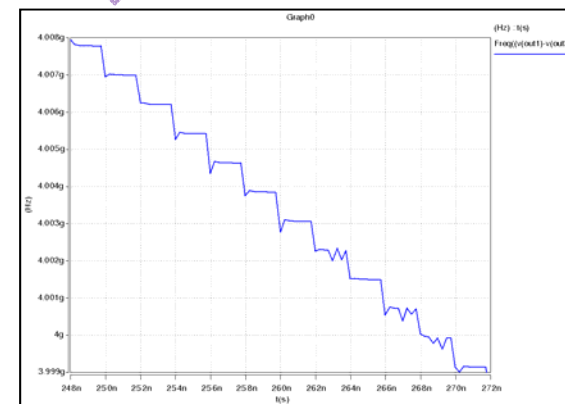
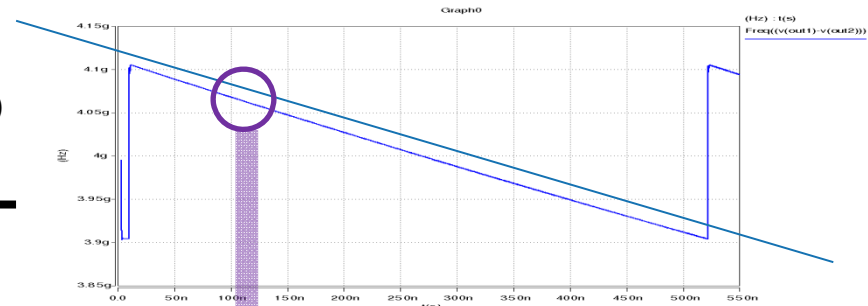
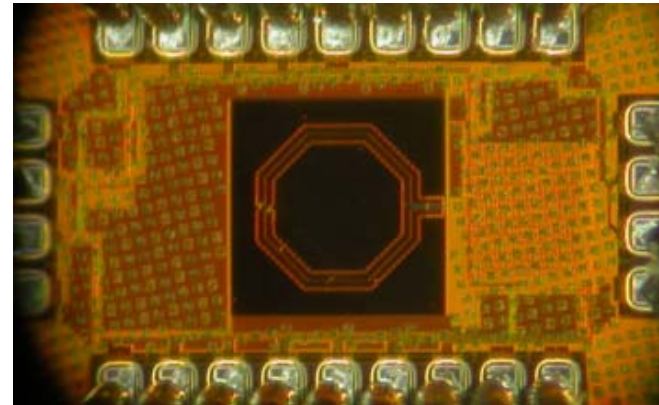
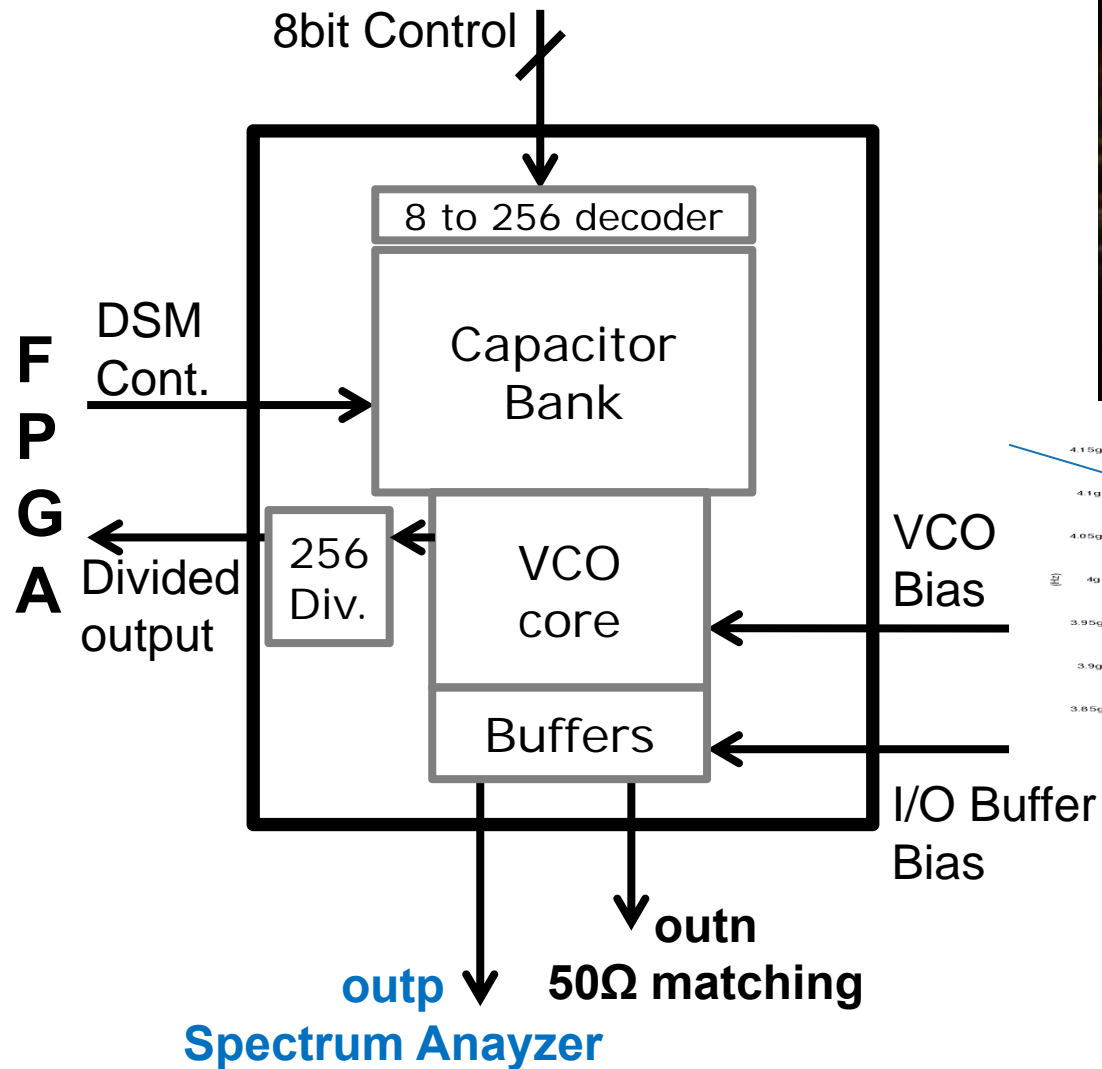


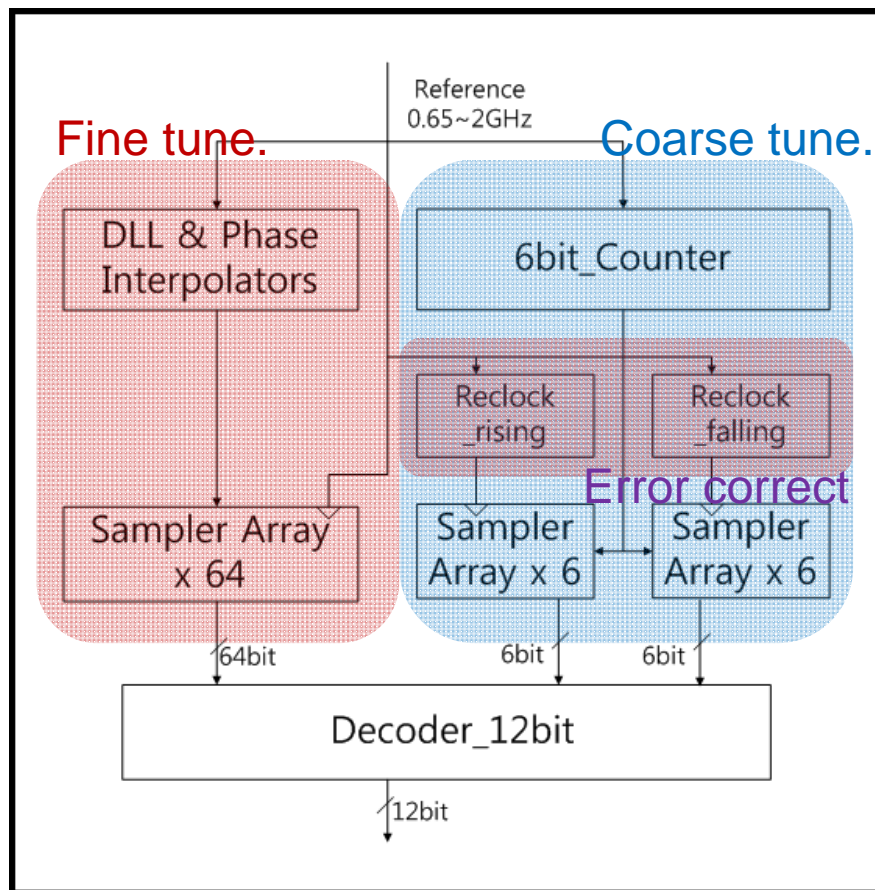
# High Resolution Digital-Controlled Oscillator



# High Resolution Time-to-Digital Converter

## Block Diagram

- *Coarse Tuning : Counter*
- *Fine Tuning : DLL & Phase Interpolator*



## Error Correction Process

