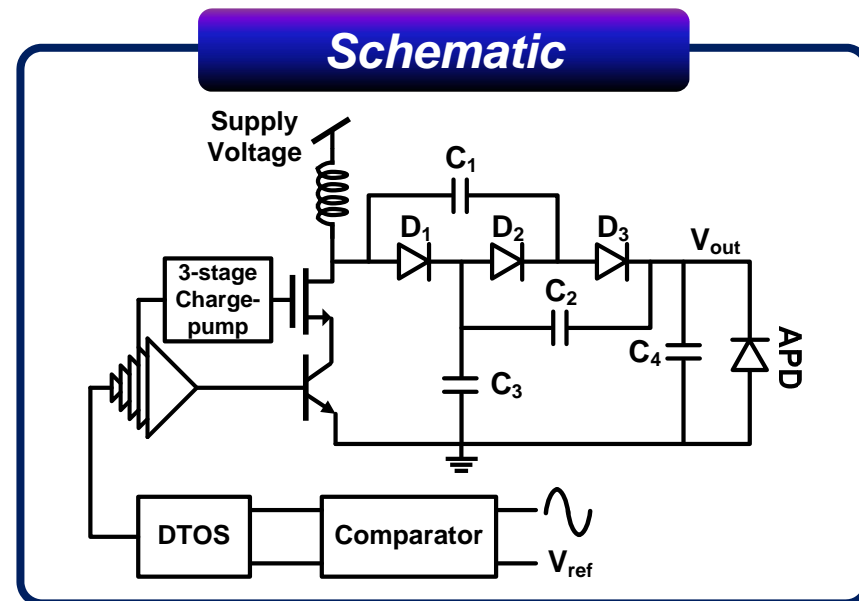
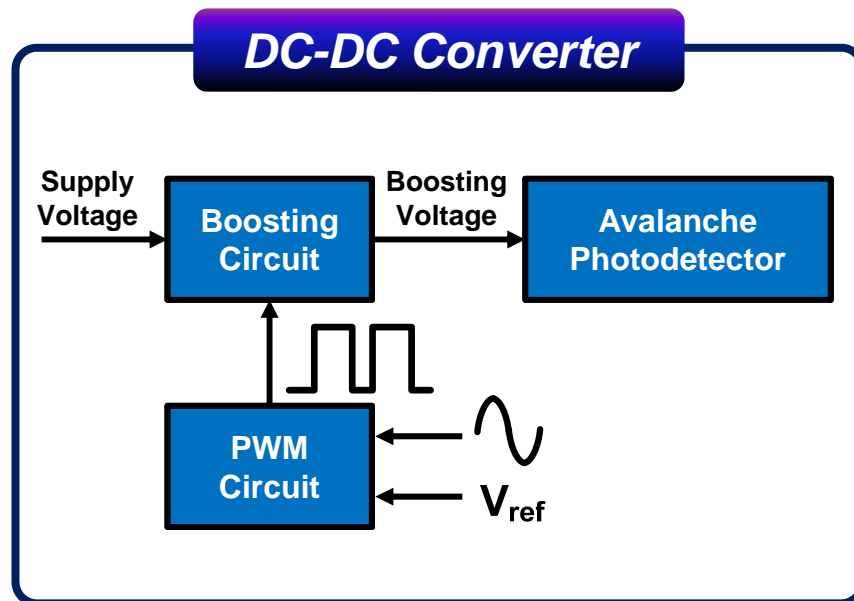
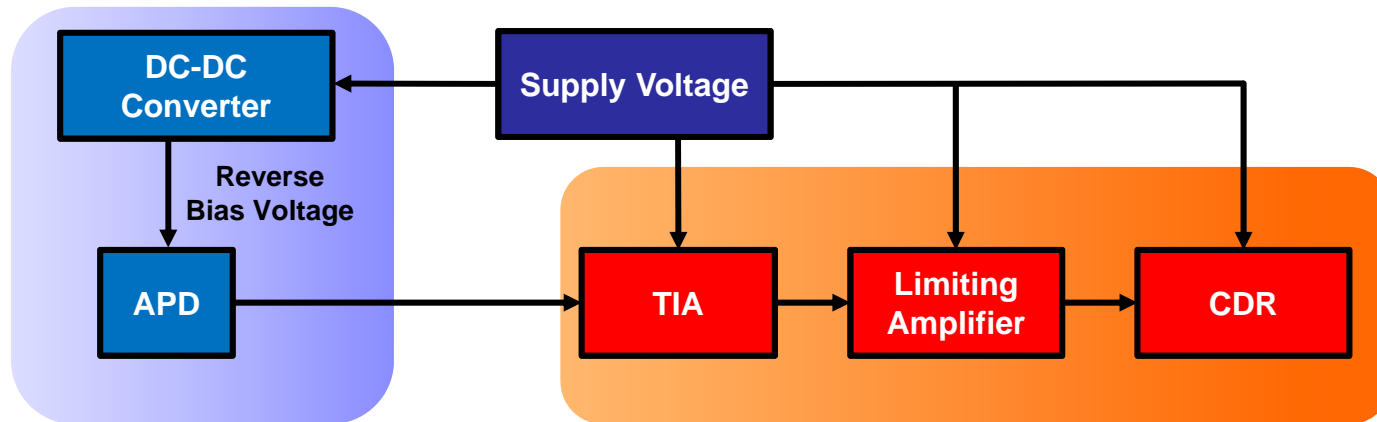
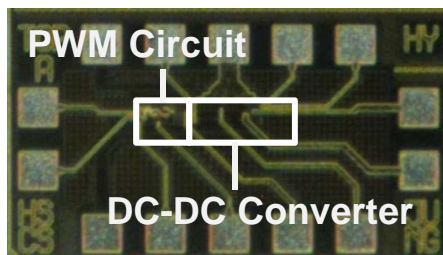
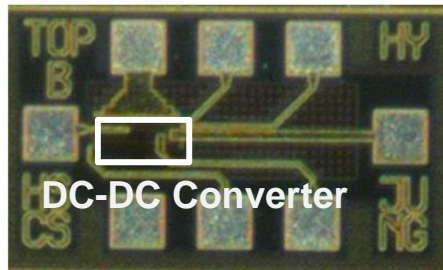


DC-DC Converter for Avalanche Photodetector

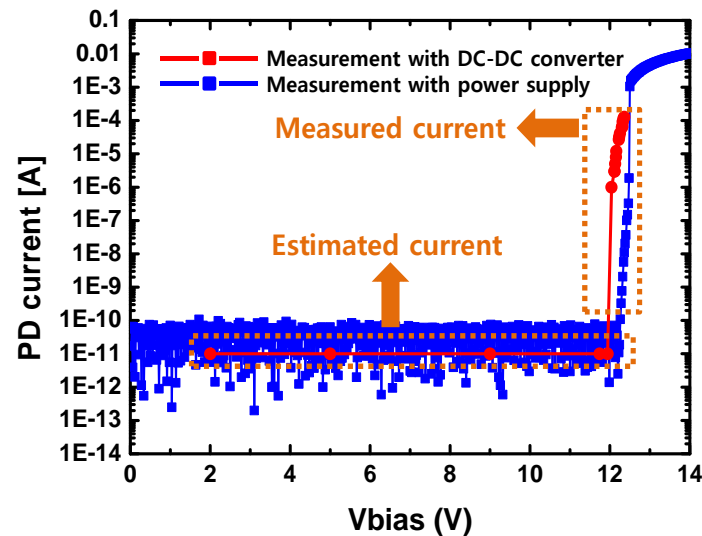


DC-DC converter to generate above 10 V from 2.5 V supply voltage.

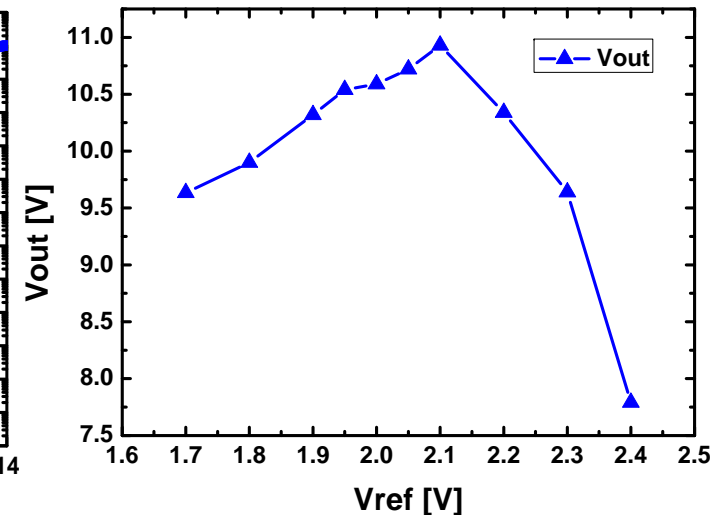
DC-DC Converter for Avalanche Photodetector



<Die photograph>



<Measurement of photocurrent>



<Measured V_{out} >

- Fabricated in 0.25 μm SiGe BiCMOS process.
- Generates above 10 V from 2.5 V supply voltage successfully.
- Verifies the avalanche breakdown with DC-DC converter including silicon APD (Dark current).