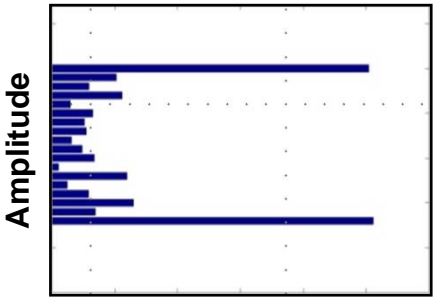
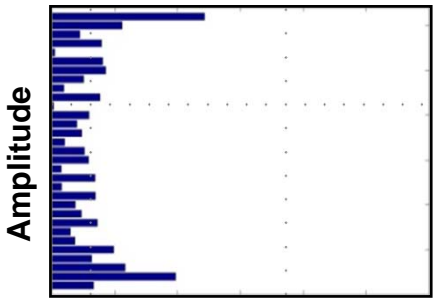
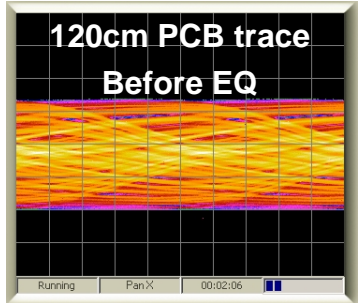
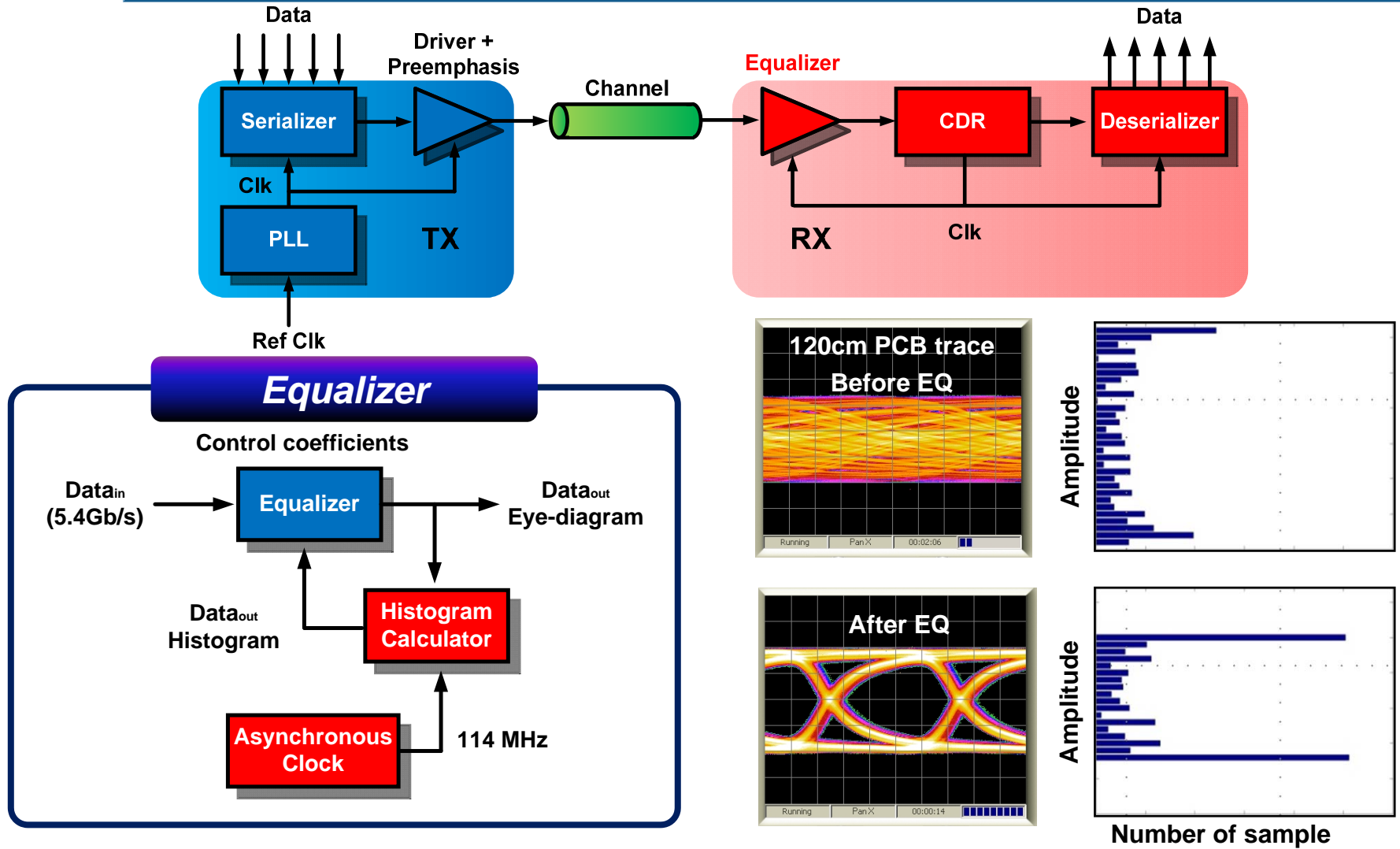


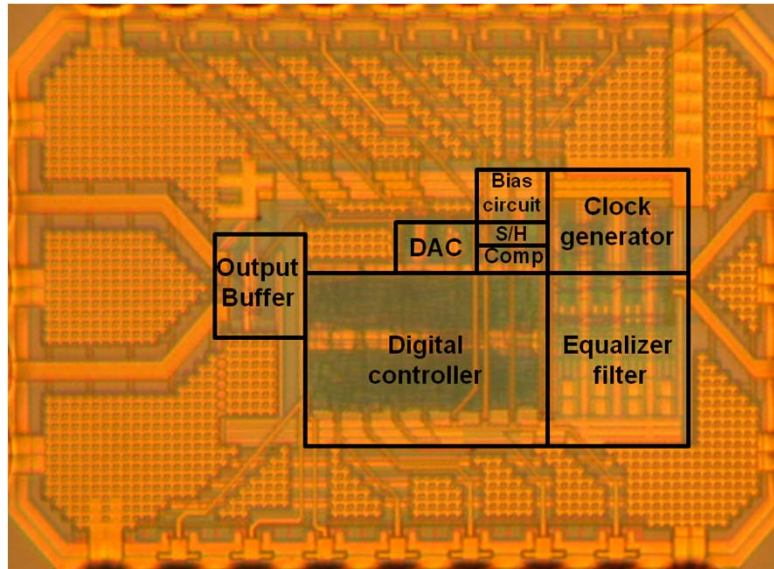
# High Speed Equalizer for Serial Interface



Number of sample

**5.4Gb/s Adaptive Equalizer using Asynchronous Under-Sampling Histogram !**

# High Speed Equalizer for Serial Interface



Die photographs of adaptive EQ



ISSCC 2011 Presentation

- Successfully achieves equalization for 5.4-Gb/s  $2^{31}-1$  PRBS data through 40-cm, 80-cm, 120-cm PCB traces and 3-m DisplayPort cable.
- Simple and robust adaptive equalizer without clock synchronization.
- These results was presented in ISSCC 2011.

[A 5.4-Gb/s adaptive equalizer using asynchronous-sampling histograms]