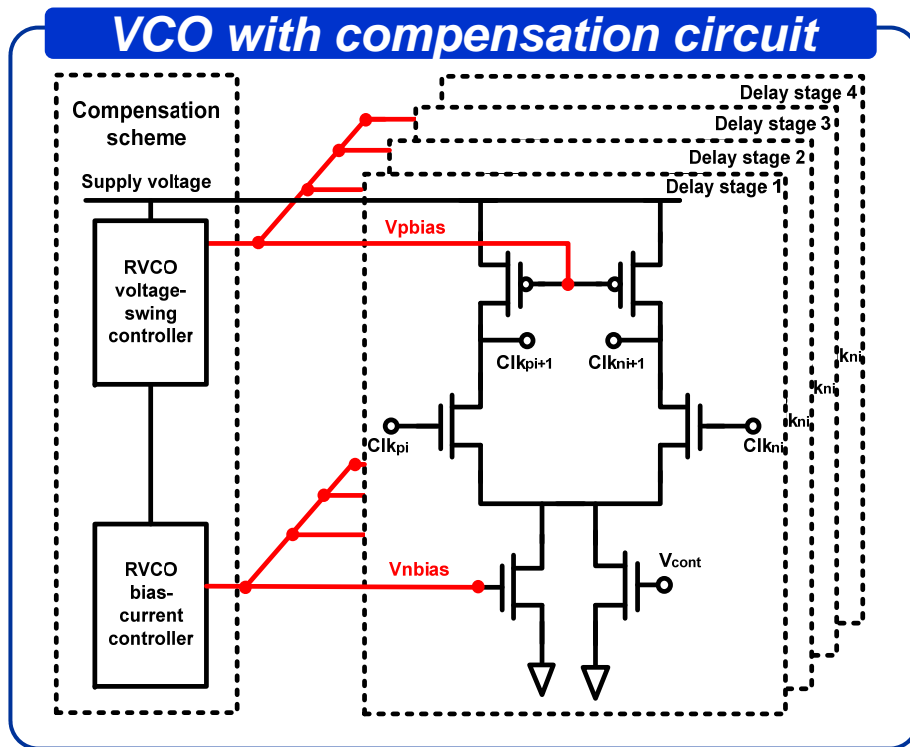
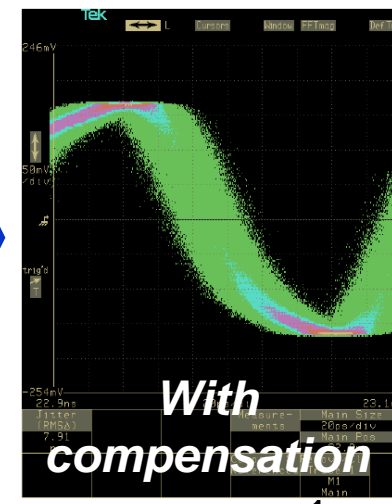
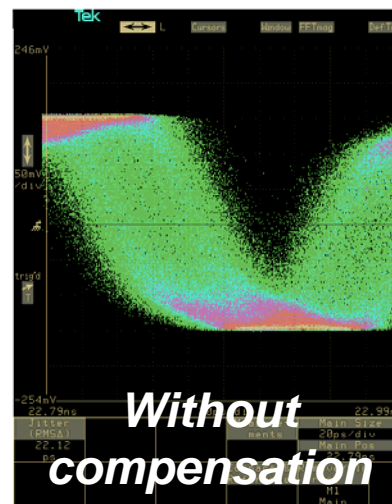
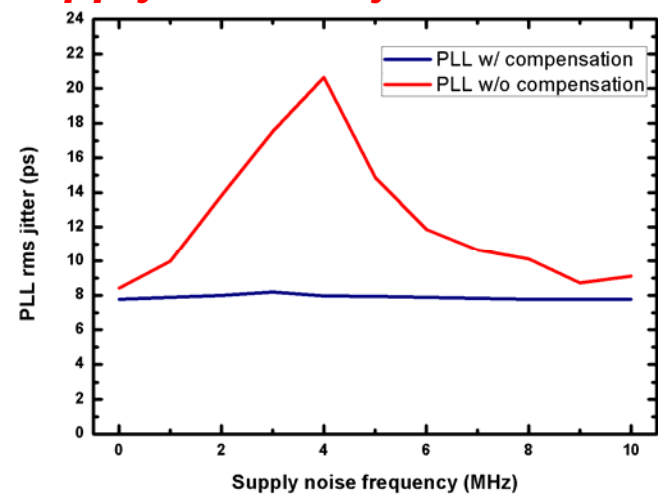


PVT Insensitive Phase Locked Loop

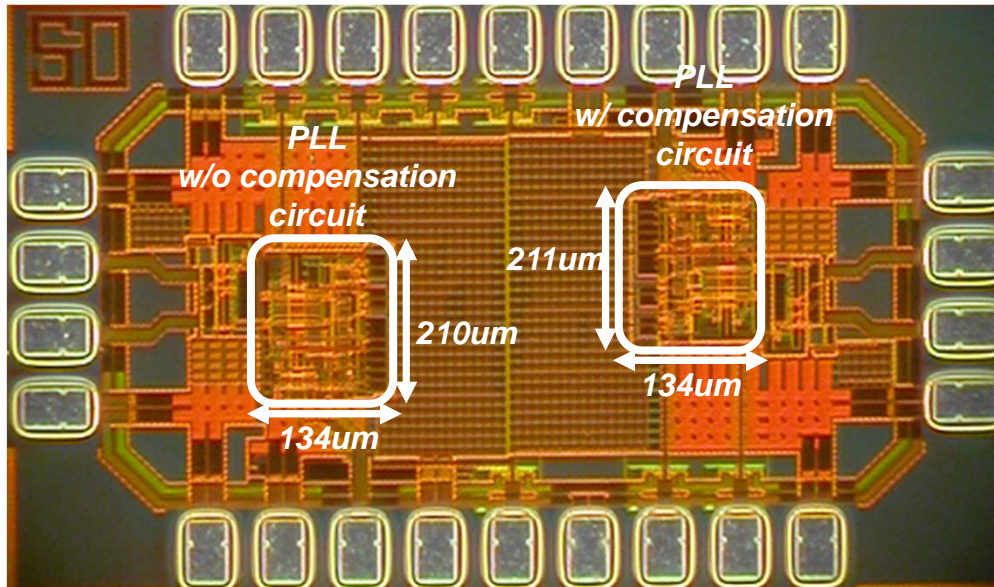
PLL using supply noise and process variation insensitive VCO



Supply noise to jitter transfer



PVT Insensitive Phase Locked Loop



- **The compensation circuit doesn't have area penalty!**
- **Presented in ISCAS 2011**
- **Accepted for publication in TCAS II**