

Introduction

❖ Topic

- CMOS-APDs for low-cost Radio-over-Fiber (RoF) systems
- CMOS integrated optical receiver (CMOS-APD part)

❖ Team member

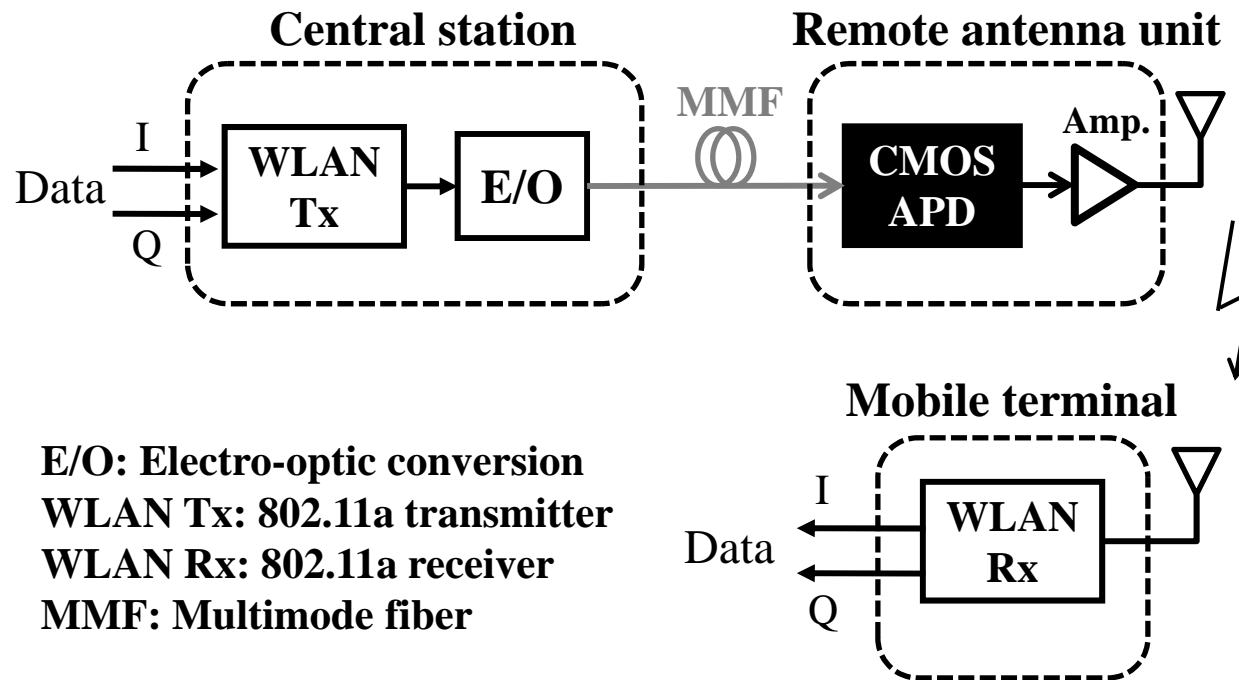
- Team member: H.-S. Kang, M.-J. Lee, K.-Y. park, J.-S. Yoon
 - CMOS-APD modeling part: H.-S. Kang, M.-J. Lee
 - RoF system demonstration: H.-S. Kang, M.-J. Lee
 - Electronic circuit part: K.-Y. park, J.-S. Yoon

❖ Sponsor

- none

Research explanation

- ❖ Radio-over-Fiber (RoF) systems for WLAN using CMOS-APD



❖ Conference

- Woo-Young Choi and Hyo-Soon Kang, “CMOS-Compatible Si Avalanche Photodetectors for Microwave Photonics Applications (Invited paper),” Opto-Electronics and Communications Conference (OECC), WeP-01, Sydney, Australia, 7-10 July, 2008
- Hyo-Soon Kang, Myung-jae Lee, and Woo-Young Choi, “Radio-Over-Fiber Systems for WLAN Based on CMOS-Compatible Si Avalanche Photodetectors,” IEEE MTT-S International Microwave Symposium, pp. 587-590, Atlanta, USA, 15-20 June, 2008
- 강효순, 최우영, “Radio-over-Fiber systems for WLAN using CMOS APD (초청논문),” COOC 2008, pp. 300-301, 부산 해운대 한화리조트, 14-16 May, 2008