

Introduction

❖ Topic

- Optical receiver and transmitter analog front-end

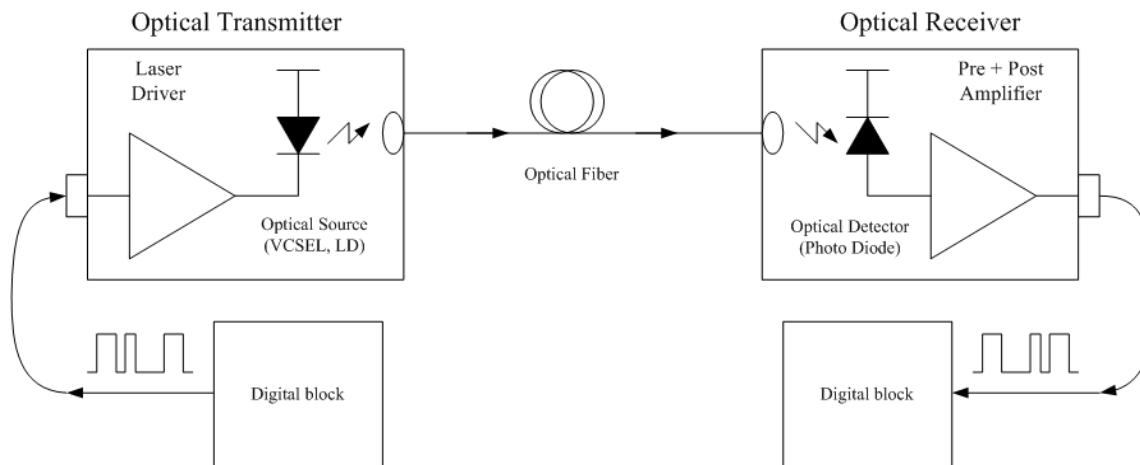
❖ Team member

- Team member: K.Y Park

❖ Sponsor

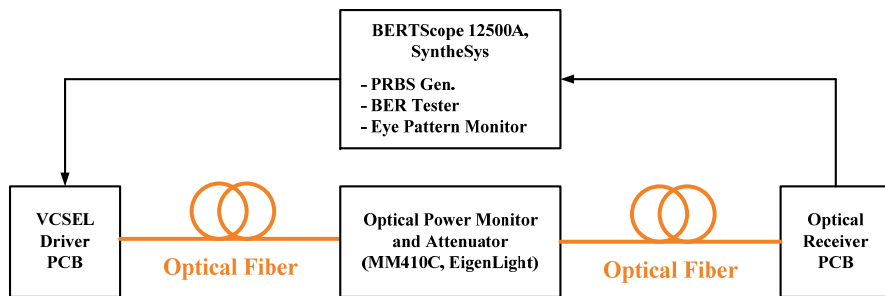
- Industry-University-Research Cooperation Course with Korea Electronics Technology Institute (KETI)

Research explanation

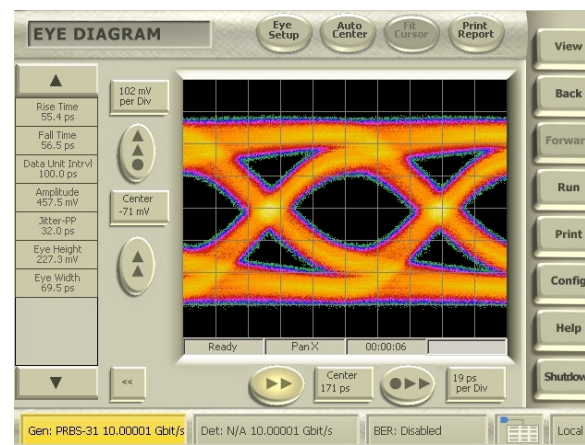


❖ High speed VCSEL driver & Optical receiver front-end

❖ Data rate : up to 10-Gb/s



Optical link measurement setup



10-Gb/s Eye Pattern of complete optical link

❖ Conference

- Kang-Yeob Park, Won-Seok Oh, Young-Min Im, and Woo-Young Choi, “A 4x10-Gb/s Optical Receiver and VCSEL Driver Array in 0.13- μ m CMOS Technology”, COOC2008, pp.32-33, Busan, 14-16 May, 2008