

# Introduction

## ❖ Topic

- CMOS integrated optical receiver (circuit part)

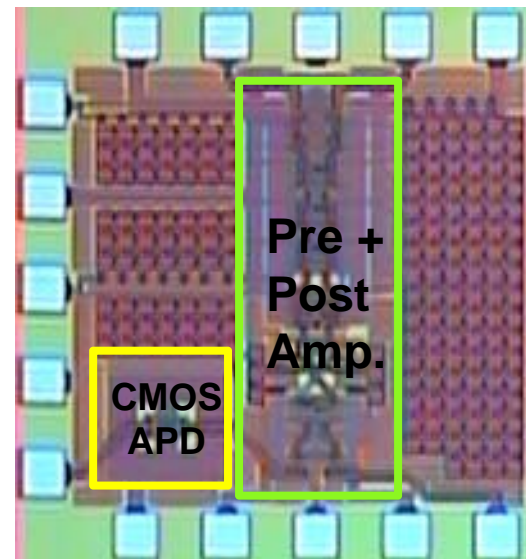
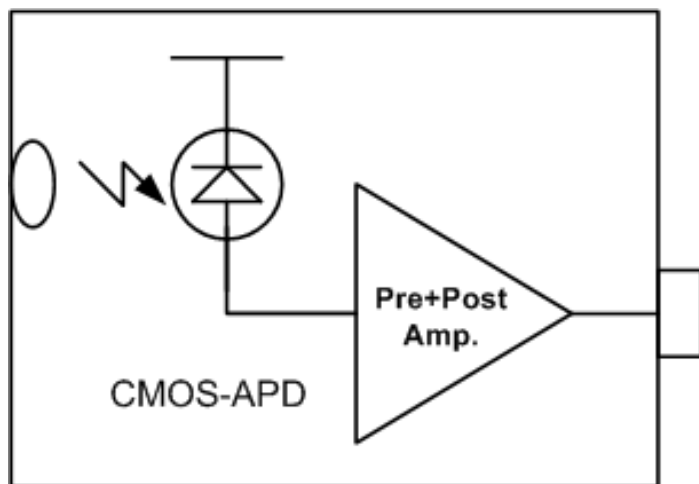
## ❖ Team member

- Team member: H.S Kang, M.J Lee, K.Y Park, and J.S Yoon
  - Physical PD modeling part : H.S Kang and M.J Lee
  - Electronic circuit part : K.Y Park and J.S Yoon

## ❖ Sponsor

- University-Research Cooperation Course with Korea Electronics Technology Institute (KETI)

# Research explanation



- ❖ CMOS optical pre+post amplifier for integration with CMOS-APD
  - High sensitivity, low noise
  - High transimpedance gain and wide input dynamic range
  - Measurement is in progress!