

Introduction

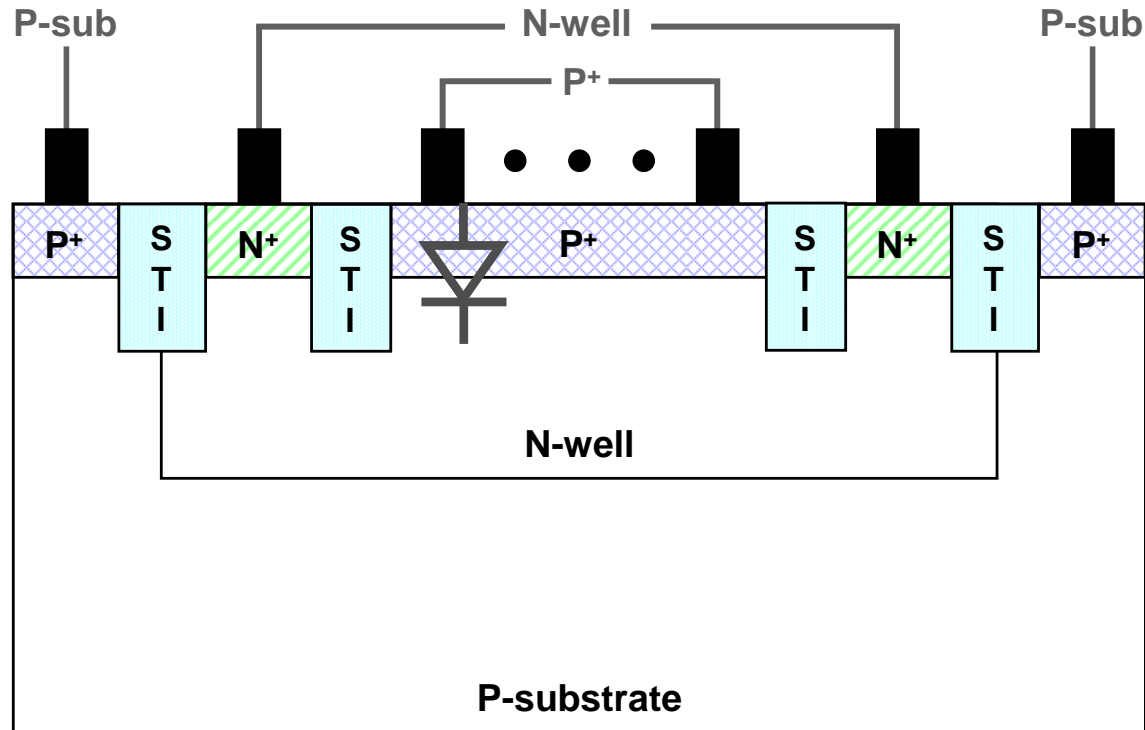
❖ Topic

- SiGe BiCMOS- and CMOS- compatible photodetectors and optical receivers

❖ Team member

- Team member: M.-J. Lee, H.-S. Kang, J.-S. Yoon, K. Park, and W.-Y. Choi

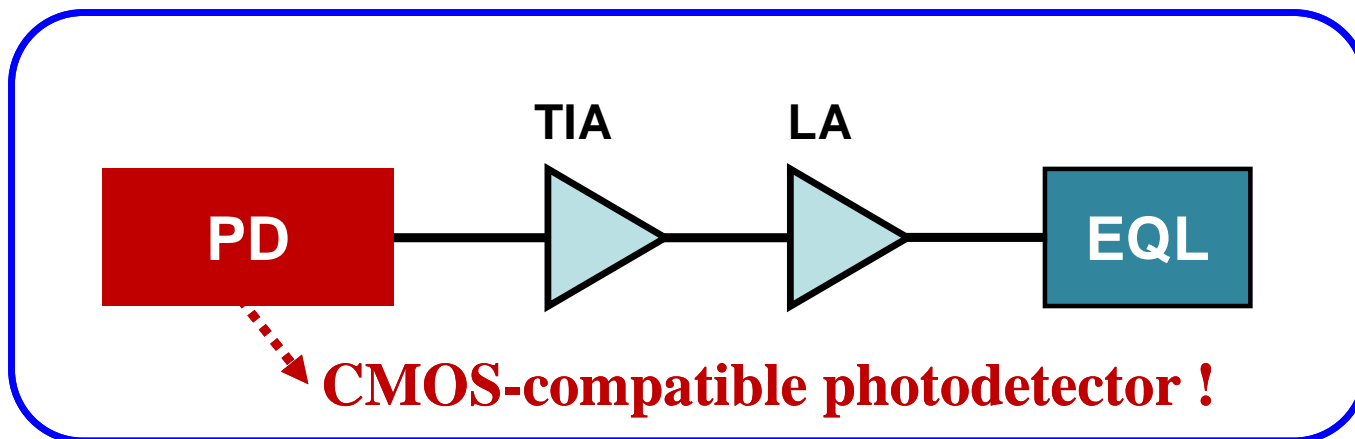
Avalanche Photodetectors



❖ High-speed and high-responsivity avalanche photodetectors fabricated in SiGe BiCMOS or CMOS technology.

Integrated Optical Receivers

Integrated optical receiver



Single-chip integration with CMOS Technology

- ❖ High-speed and sensitivity integrated optical receiver with CMOS or SiGe BiCMOS technology.