

Introduction

❖ Topic

- Development of SerDes IP based on 018nm CMOS

❖ Team member

- Team member: D.H Kim and W.S Kim
 - Ser/PE (Pre-emphasis) part: D.H Kim
 - Equalizer part: W.S Kim

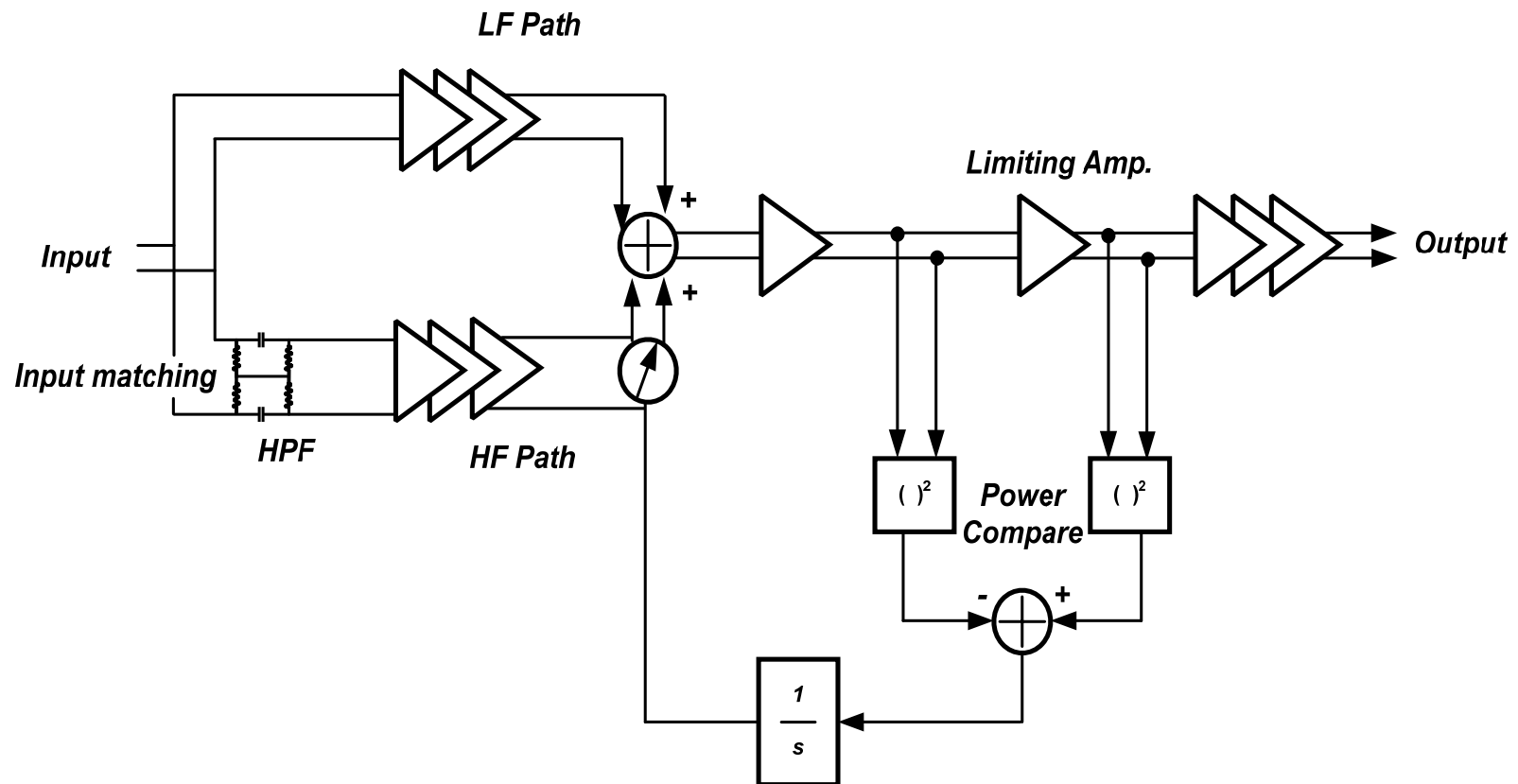
❖ Sponsor

- System2010

A 2.7 Gb/s Adaptive Equalizer in 0.18um CMOS technology

❖ 2.7Gb/s Adaptive Feed forward Equalizer

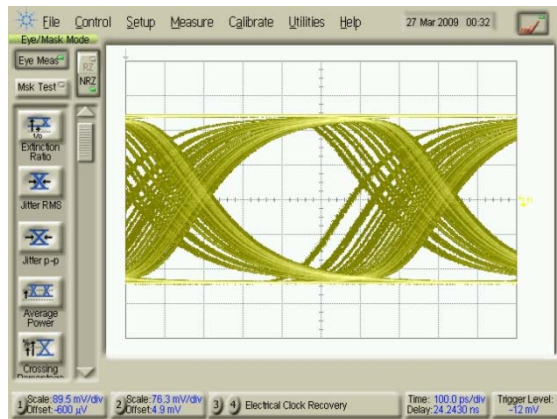
- Adaptive Line Equalizer Using Power Comparison



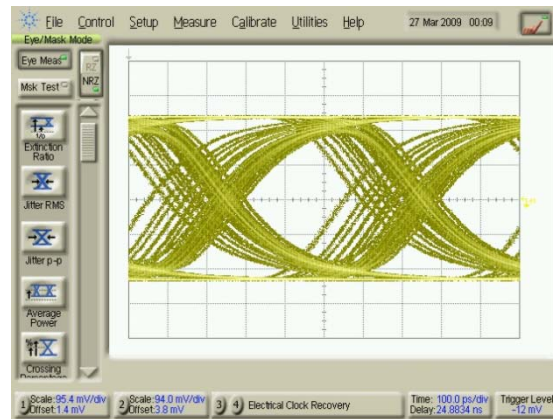
Adaptive Line Equalizer Using Power Comparison

❖ PRBS 7 with 15m display port cable

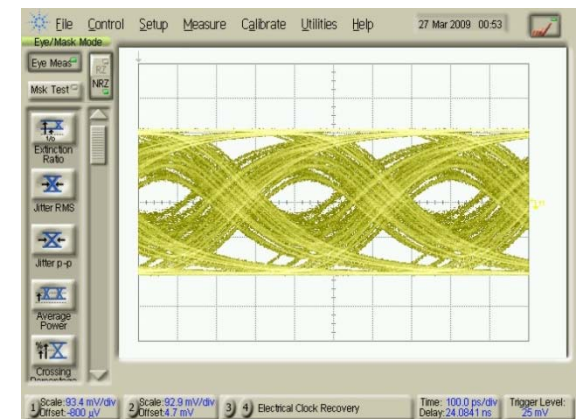
- EYE-diagram



1.6Gbps



2Gbps



2.7Gbps

A 2.7 Gb/s Adaptive Equalizer in 0.13um CMOS technology

❖ Next Plan

- Equalizer filter: Capacitive degeneration amplifier (Cherry-Hooper amplifier)
- Power Detector: Current steering rectifier to increase the output magnitude
- V/I Converter: f_T doubler tunable V/I converter

