

Low-Power Adaptive Passive Equalizer

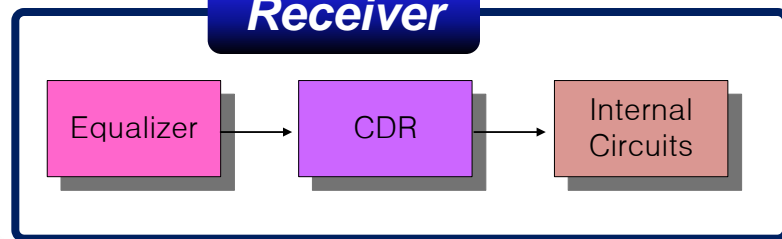
Bit Error Rate Tester



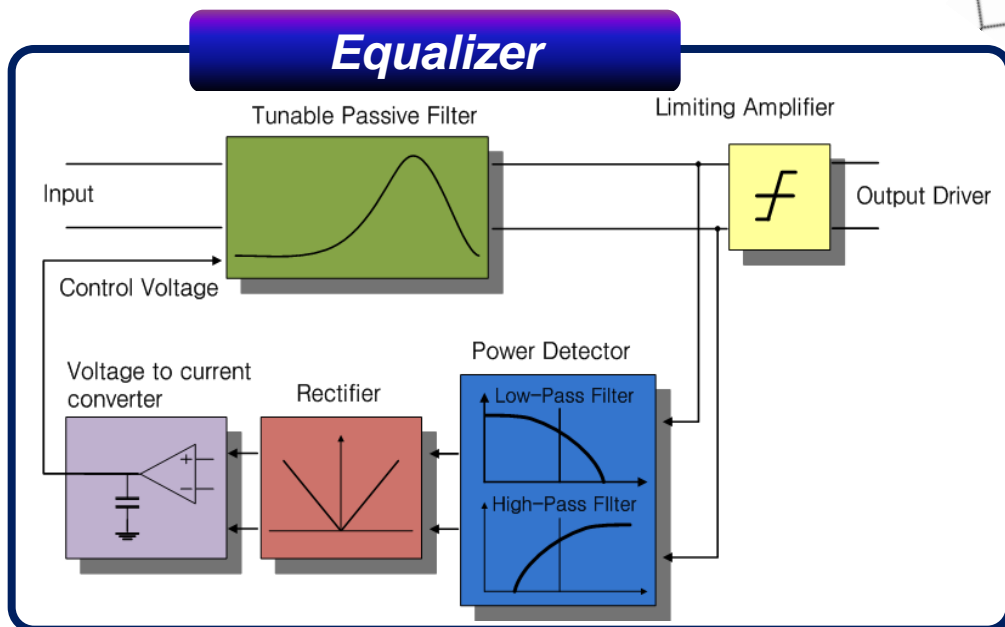
Target channel



Receiver



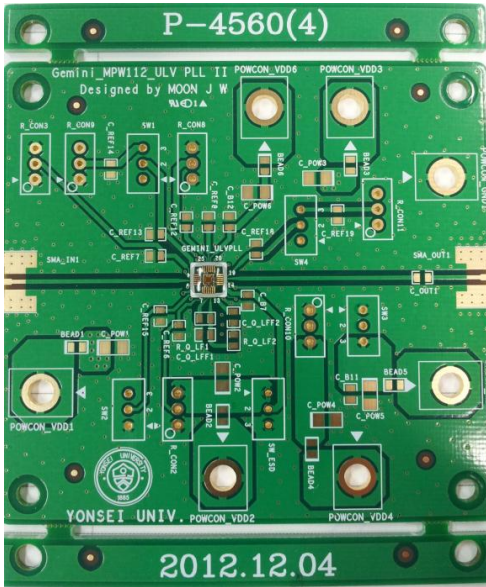
Equalizer



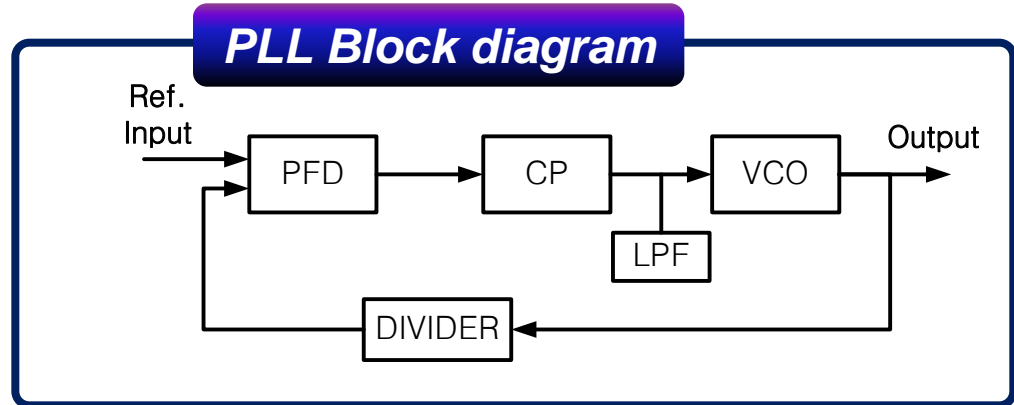
An 8-Gb/s Inductorless adaptive passive equalizer in 0.18- μ m CMOS technology

- Self power-comparison method for the adaptation block.
- Power efficiency = 0.84 mW/Gbps
- Total area = 0.84 mm²

Ultra-Low Voltage Phase-Locked Loops



First ULV PLL



0.4V Ultra-low voltage PLL

- Samsung 65nm CMOS technology
- Two versions are fabricated

Self-regulated Active Loop Filter PLL
& ALF PLL w/ Automatic Frequency Control

ULV Challenges

- Low voltage headroom (multiple-stacks are not allowed)
- Process, Voltage, and Temperature (PVT) variation immunity
- Vulnerable to power noise