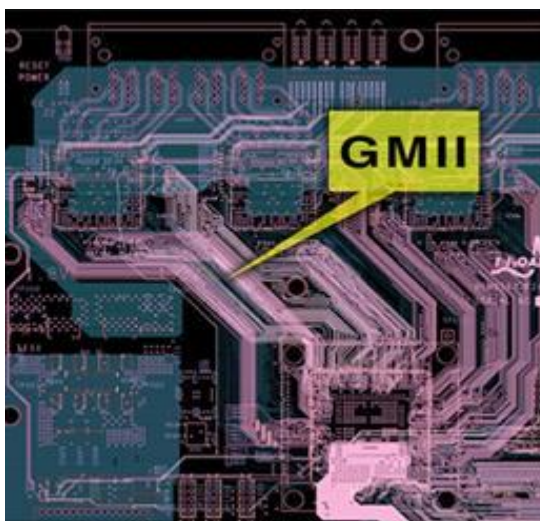
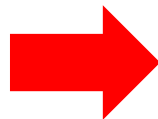


High speed serial interface

- Why serial interface?
 - Simpler wiring!
 - Much less crosstalk!



**Gigabit Media
Independent Interface (GMII)**
: Total 24 lines for 1 Gb/s



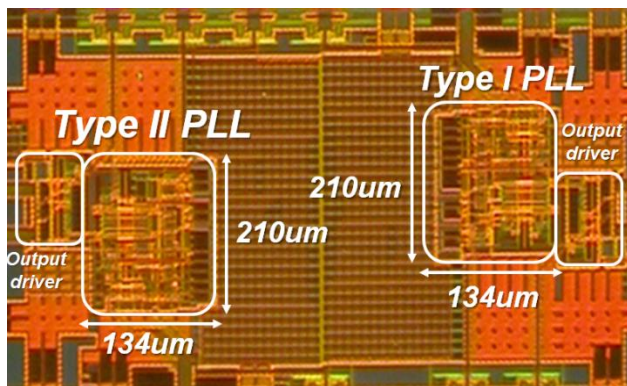
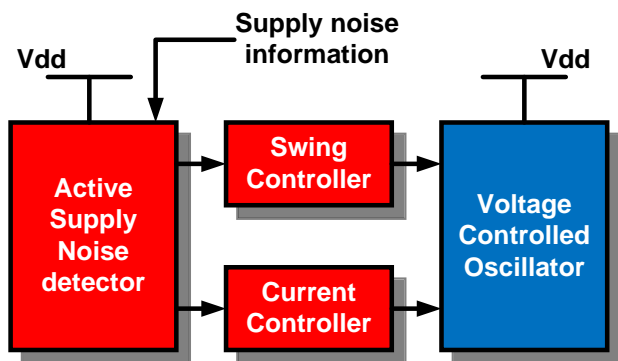
**Serial Gigabit Media
Independent Interface (SGMII)**
: Total 8 lines for 1.25 Gb/s

- Research area → Serial interface building block design
 - **PLL, CDR, Serializer, De-serializer**

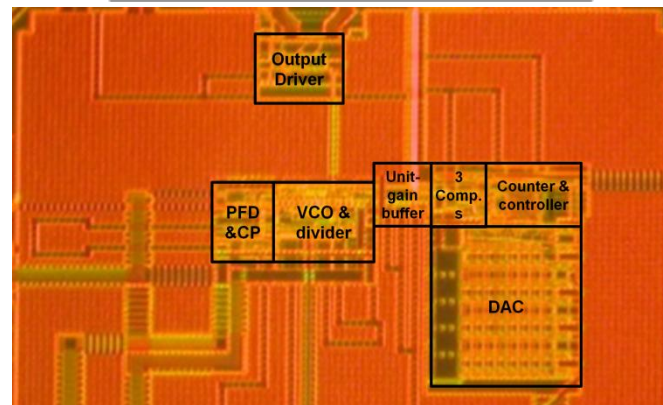
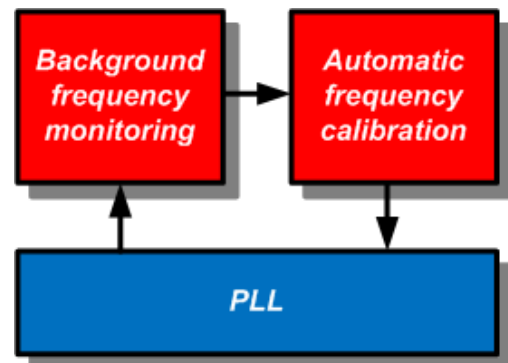
Serial-interface building block - PLL

- Process, Voltage, Temperature (PVT) robust PLL
 - Low noise PLL with supply noise insensitive VCO
 - A PLL with fast and continuous automatic frequency calibration

Supply noise insensitive VCO



Continuous frequency calibration technique



Serial-interface building block - CDR

- Robust and smart CDR
 - CDR with multi-level Bang-Bang PD
 - Jitter monitoring for loop dynamics optimization

