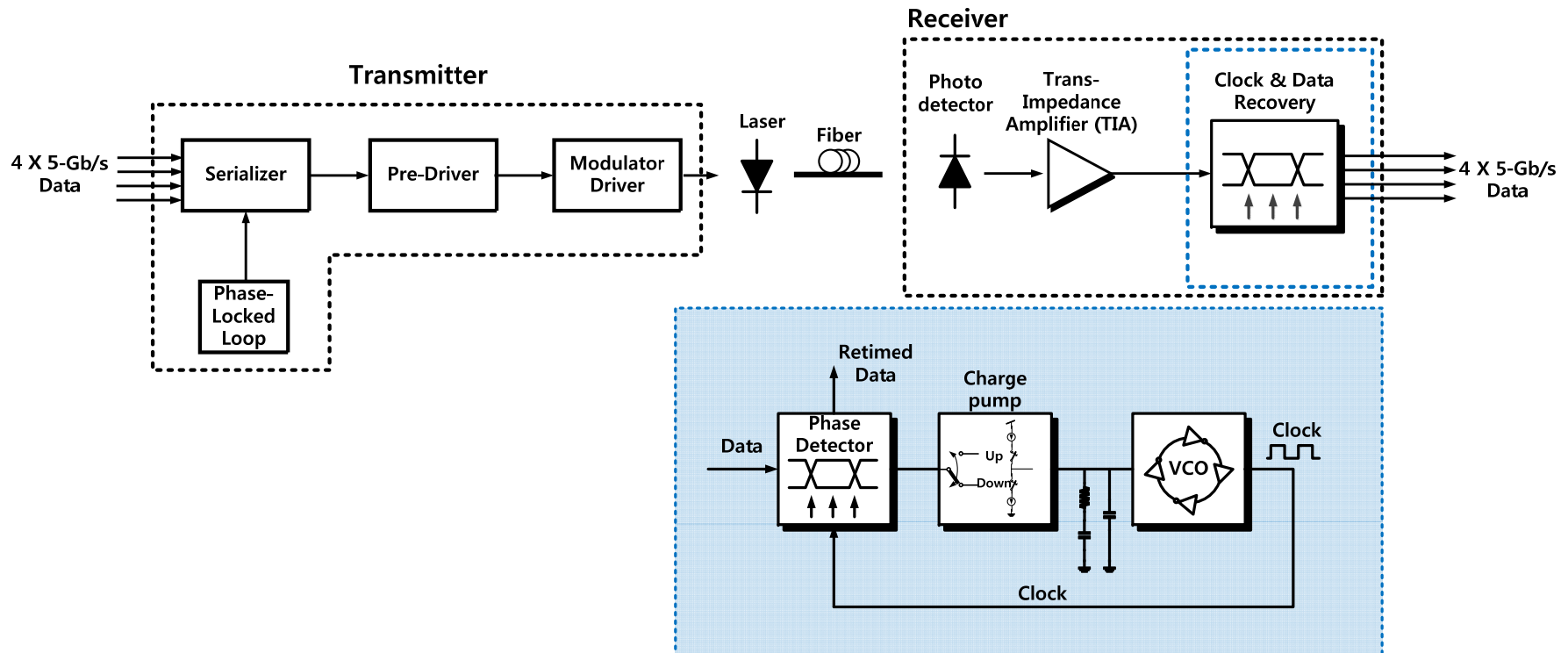


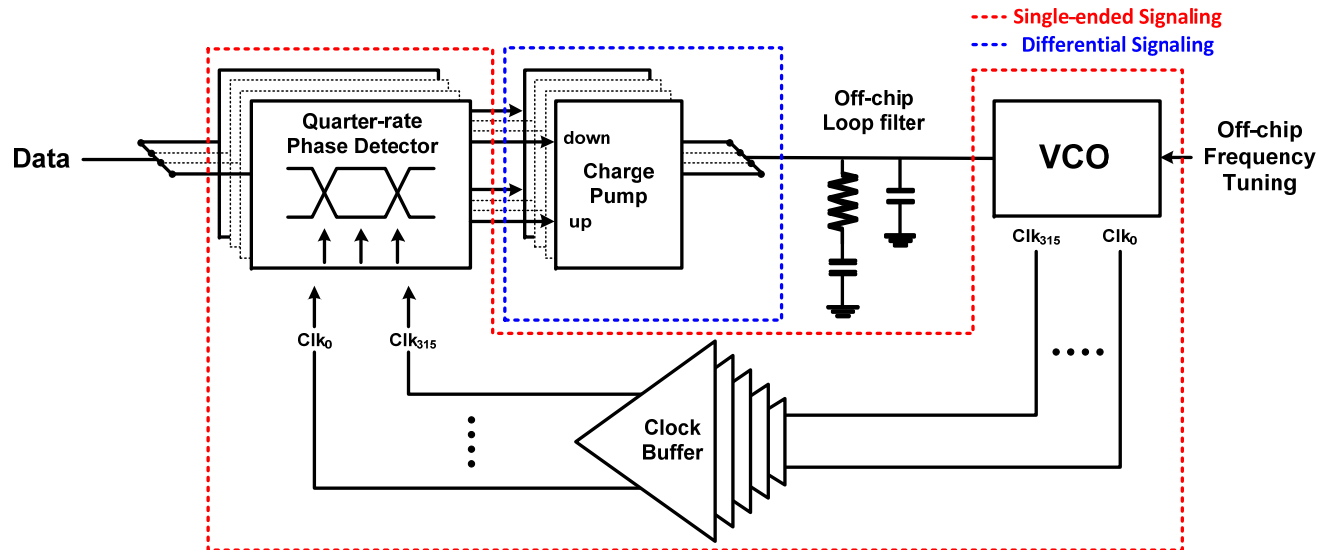
Designing high speed CDR for Optical Rx

● Clock and Data Recovery

- Noisy and Asynchronous 25-Gb/s data transmitted from the TIA → EPIC Rx
- Clock and data recovery circuit
- Consist of Phase Detector, Charge pump and VCO
- Quarter-rate CDR



Designing high speed CDR for Optical Rx



- 25 Gb/s Quarter-rate CDR
- CMOS logic based single-ended signaling
- 25 Gb/s PCB board design
- 20 Gb/s PRBS 2^7-1 with TIA

