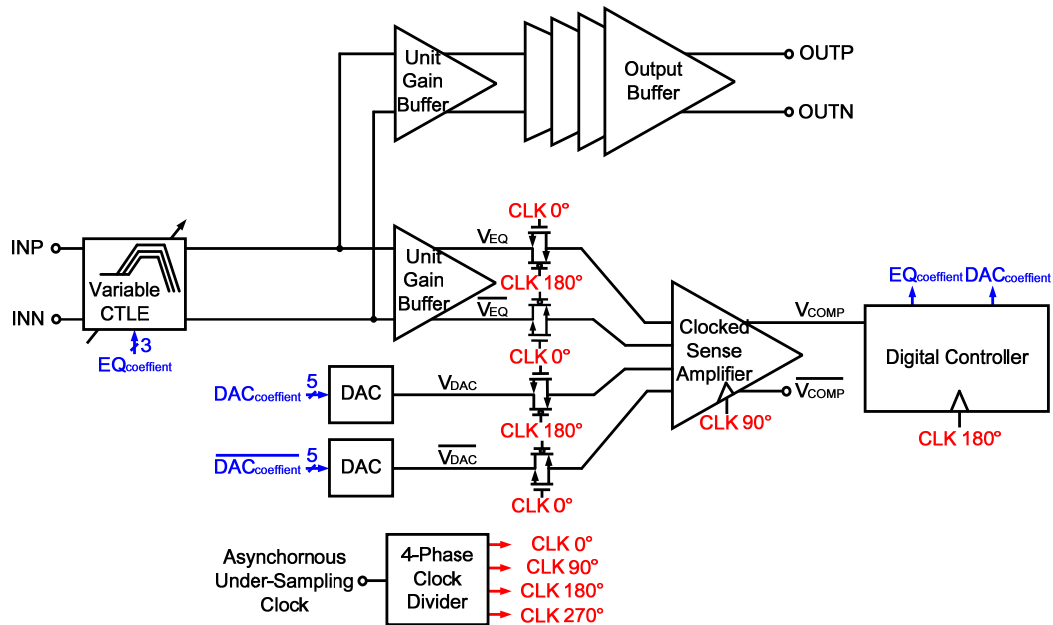
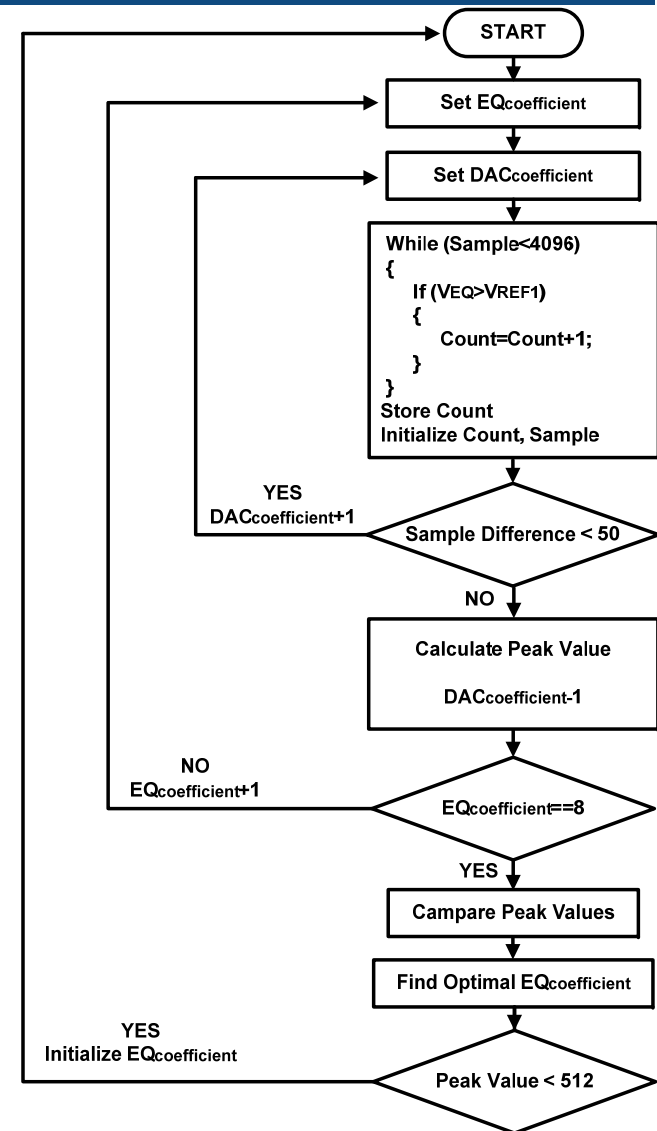


A PVT Tolerant Adaptive CTLE



- 10Gb/s data transmission for 40-cm PCB trace
- Asynchronously under-sampled Histogram
- Fast adaptation & continuous time adaptation
- 20.4 mW with 1.2V-supply



A PVT Tolerant Adaptive CTLE

